

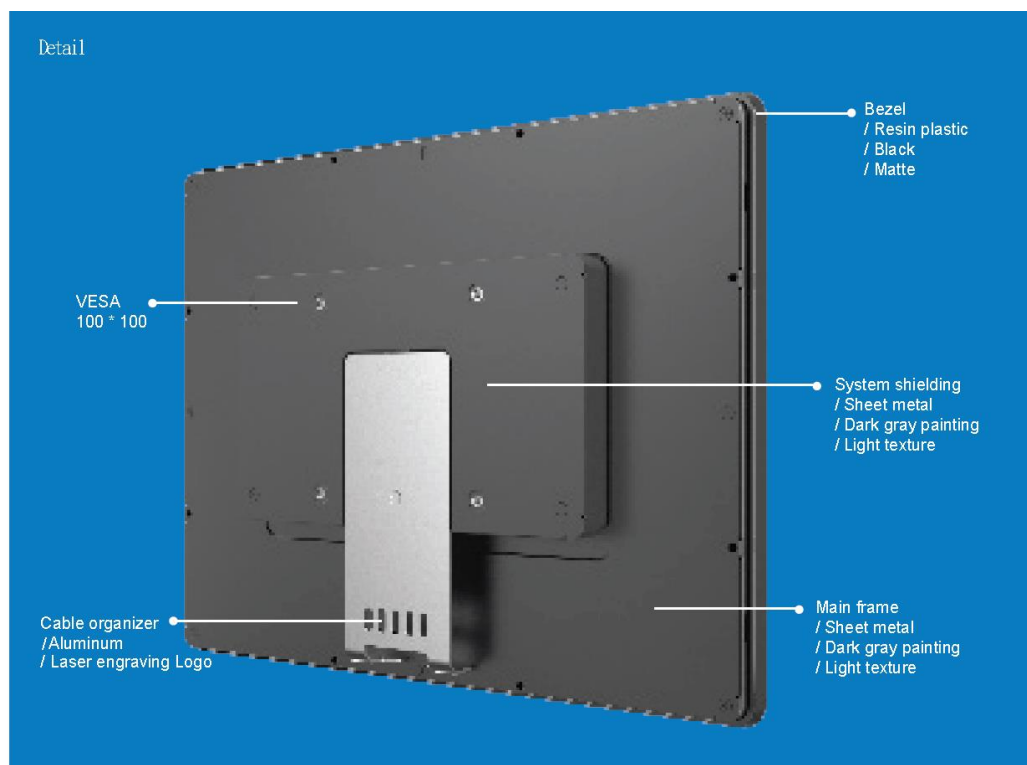
Standard Product Specifications Form

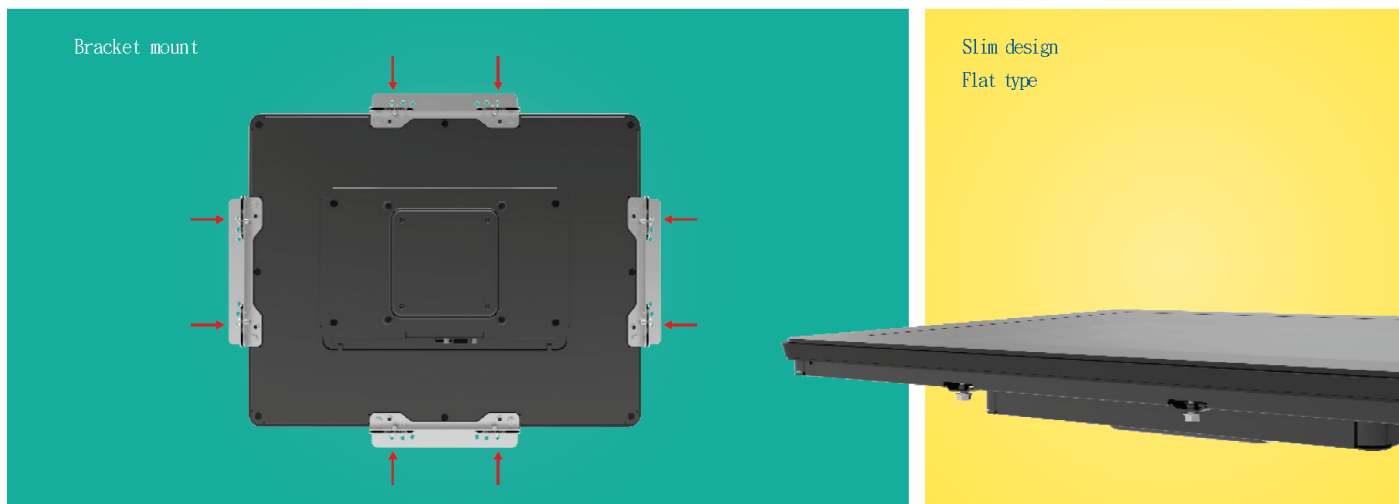
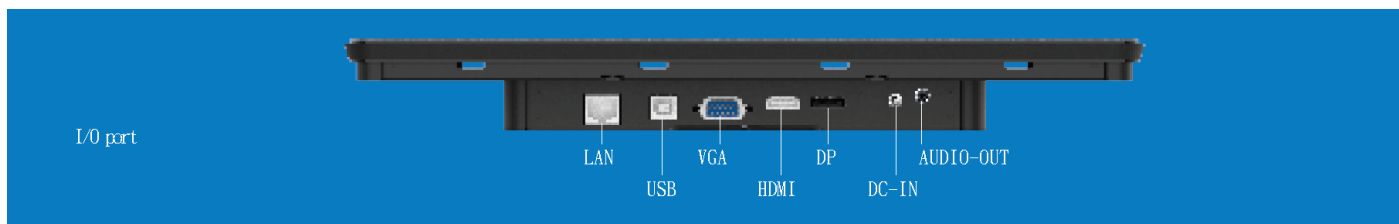
标准产品规格表

| | | | | |
|--|-----------------------------------|-------------------|------------------------|--------------|
| 产品名称: Product Name: | 10.1inch Open-Frame Touch Monitor | | 参考号: Ref. No. | RY90501A |
| 产品型号: Model No.: | SNT-IPD-OFTM10.1-T01 | | 显示尺寸: Display Size: | 10.1inch |
| 产品设计主要模块 Major Customized Module | 结构 Structure | 触摸 Touch Panel | 显示 Display | 其他 Others |

SNT 产品设计全部采用组件模块化，以下内容基于产品 BOM 清单制作模块化信息，请认真阅读比对，以便于更好地了解产品规格

All SNT Products are using modularized assembly, following contents are with product modular design information based on product BOM list. Please read and check carefully, to better understanding the products specifications.





规格参数 Product SPECIFICATIONS:

液晶面板 LCD Panel

| | |
|------------------|-------------------------------------|
| 面板尺寸 Panel Size | 10.1" TFT |
| 最佳分辨率 Resolution | 1280*800 |
| 对比度 Contrast | 1300:1 |
| 亮度 Brightness | 500nits (No Touch), 425 nits(P-cap) |
| 视角 Viewing Angle | H: 170°, V: 170° |

触摸屏 Touch Panel

| | |
|-----------------------|----------------------|
| 触摸技术 Touch Technology | Projected Capacitive |
| 触摸点数 Touch Points | 10 |
| 触摸屏界面 Touch Interface | USB-HID(Type B) |

外部接口 External Ports

| | |
|------------------|---|
| 串行端口 Serial Port | - |
| USB 接口 USB Port | 1*USB2.0(Type B) for Touch Interface(USB-HID) |
| 视频接口 Video Port | 1*VGA, 1*DP, 1*HDMI |
| 音频接口 Audio Port | Line-out |
| 电源接口 Power Port | 1*12V DC Jack with lock |

整机参数 Full Set Specs.

| | |
|------------------|--------------------------------------|
| 电源 Power Supply | 36W(12V, 3A), External Power Adaptor |
| 扬声器 Loudspeaker | - |
| 机壳颜色 Shell Color | Black |
| 结构材质 Material | Glass, Plastic(ABS), SECC Metal |
| IP 防护等级 IP Level | Front Panel IP65 Compliant |
| 机身尺寸 (W*H*T) | 260.7*183.4*39.4mm |
| 净重 Net Weight | 1.4kg |

| | |
|---|--|
| 毛重 Gross Weight | 2.4kg |
| 包装规格 (L*W*H) | 370*325*160mm |
| VESA | 100*100mm |
| 落球测试 Ball-dropping Test | UL60950(500g/1.3m) and IK08 |
| 安全规格 Safety Specs. | |
| 认证 Certifications | CE(B), FCC(B),CCC(B), UL, cUL, RCM, RoHS |
| 环境条件 Temperature and Humidity | |
| 工作温湿度 Working Temperature/Humidity | 0°C~50°C,20%~80% RH. Non-Condensing |
| 存储温湿度 Warehousing Temperature/Humidity | -20°C~60°C, 10%~95% RH, Non-Condensing |
| 选配 Optional Parts | |
| 远程遥控器 Remote Controller | 1*RJ45 (For OSD Connector) |
| 其他 Others | |
| - | - |

如需根据您的安装需求定制， 请联系我司相关人员或者发邮件到 info@sinotronics.com.

In case of customization, please feel free to contact us or send email to info@sinotronics.com.

规格书制作:

Specs. Form by:

SNT Marketing Center 思诺泰科创电子市场中心

SNT Product Innovation Center 思诺泰科创电子产品创新中心

