

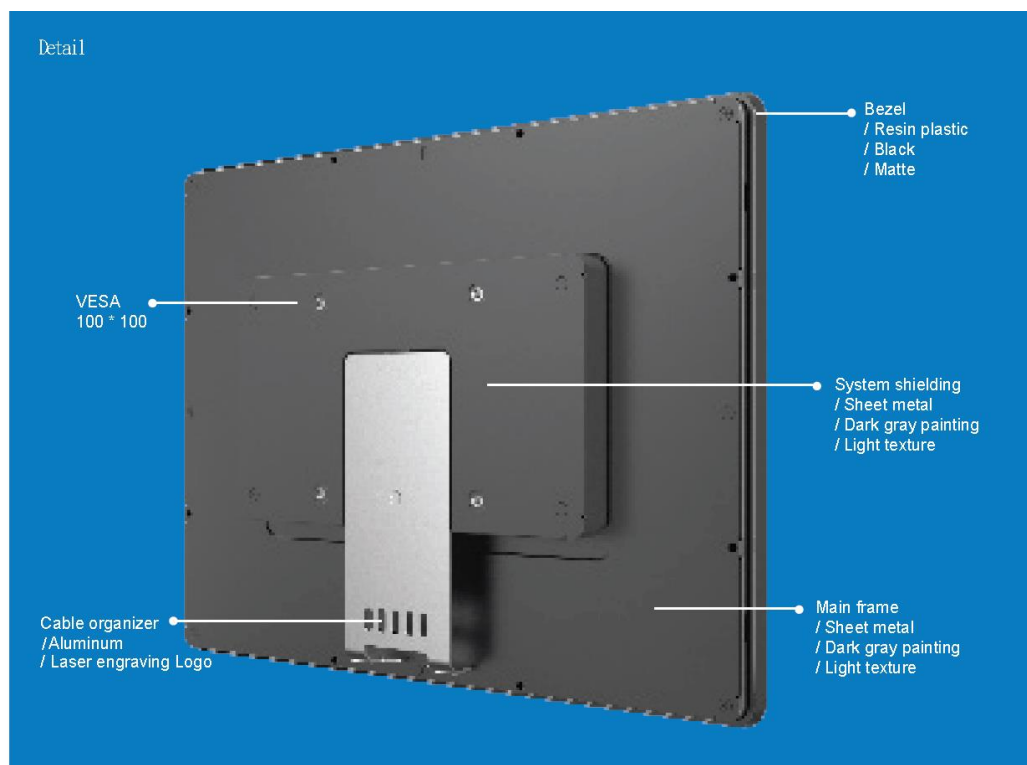
Standard Product Specifications Form

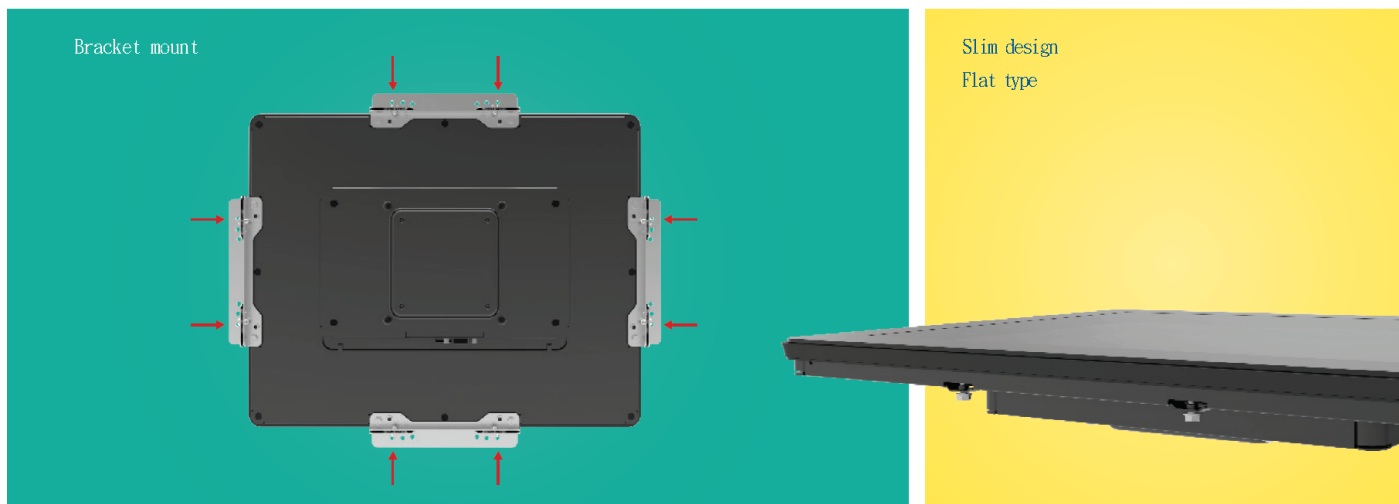
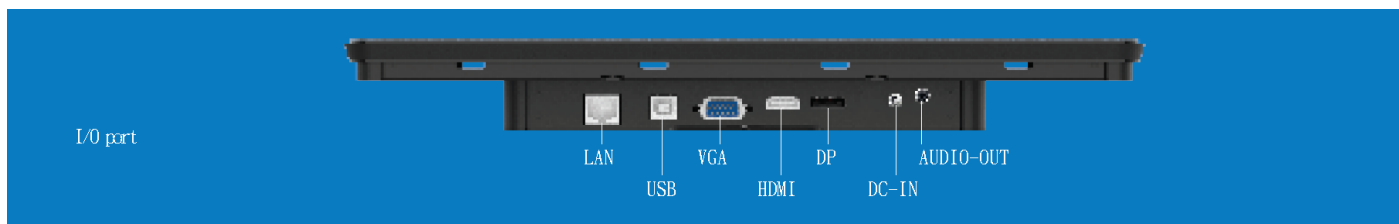
标准产品规格表

产品名称: Product Name:	19inch Open-Frame Touch Monitor		参考号: Ref. No.	RY90501D
产品型号: Model No.:	SNT-IPD-OFTM19-T04		显示尺寸: Display Size:	19inch
产品设计主要模块 Major Customized Module	结构 Structure	触摸 Touch Panel	显示 Display	其他 Others

SNT 产品设计全部采用组件模块化，以下内容基于产品 BOM 清单制作模块化信息，请认真阅读比对，以便于更好地了解产品规格

All SNT Products are using modularized assembly, following contents are with product modular design information based on product BOM list. Please read and check carefully, to better understanding the products specifications.





规格参数 Product SPECIFICATIONS:

液晶面板 LCD Panel

面板尺寸 Panel Size	19" TFT
最佳分辨率 Resolution	1280*1024
对比度 Contrast	1000:1
亮度 Brightness	250nits (No Touch), 225 nits(P-cap)
视角 Viewing Angle	H: 170°, V: 160°

触摸屏 Touch Panel

触摸技术 Touch Technology	Projected Capacitive
触摸点数 Touch Points	10
触摸屏界面 Touch Interface	USB-HID(Type B)

外部接口 External Ports

串行端口 Serial Port	1*RJ11 (for remote key)
USB 接口 USB Port	1*USB2.0(Type B) for Touch Interface(USB-HID)
视频接口 Video Port	Option A: 1*VGA, Option B: 1*VGA+DVI
音频接口 Audio Port	-
电源接口 Power Port	1*2.1MM 12V DC Jack

整机参数 Full Set Specs.

电源 Power Supply	50W(12V, 4.16A), External Power Adaptor
扬声器 Loudspeaker	-
机壳颜色 Shell Color	Dark Grey
结构材质 Material	Glass, Plastic(ABS), SECC Metal
IP 防护等级 IP Level	Front Panel IP65 Compliant, Rear IPX1
机身尺寸 (W*H*T)	432.9*360.3*58.4mm
净重 Net Weight	5.8kg

毛重 Gross Weight	8.2kg
包装规格 (L*W*H)	525*460*165mm
VESA	75*75mm, 100*100mm
落球测试 Ball-dropping Test	-
安全规格 Safety Specs.	
认证 Certifications	CE(B), FCC(B),RCM, UL, cUL, RCM, TUV, RoHS
环境条件 Temperature and Humidity	
工作温湿度 Working Temperature/Humidity	0°C~40°C,20%~80% RH. Non-Condensing
存储温湿度 Warehousing Temperature/Humidity	-20°C~60°C, 10%~95% RH, Non-Condensing
选配 Optional Parts	
远程遥控器 Remote Controller	1.5meter RJ11 Cable, Controls: Power, Select, Up, Down, Menu
其他 Others	
-	-

如需根据您的安装需求定制， 请联系我司相关人员或者发邮件到 info@sinotronics.com.

In case of customization, please feel free to contact us or send email to info@sinotronics.com.

规格书制作:

Specs. Form by:

SNT Marketing Center 思诺泰科创电子市场中心

SNT Product Innovation Center 思诺泰科创电子产品创新中心

